



KITS



PUMPS



METERS



METERED NOZZLES



NOZZLES



WASTE OIL EQUIPMENTS

PISTOL-ONE

FEATURES

- HIGH PRESSURE RATIO
- LOW PRESSURE DROP
- STURDY AND DURABLE
- SURFACE POLISHING PROTECTION
- HIGH PERFORMANCE SWIVEL
- BUILT-IN LEVER LOCK

The PIUSI PISTOL-ONE is a manual nozzle suitable for the delivery of a wide range of oils at high flow rates. Its sturdy design makes this nozzle suitable for heavy duty operations.

PERFORMANCE

UP TO

60 L/MIN

FLOW RATE

100 BAR

OPERATING PRESSURE



PISTOL-ONE



with flexible spout

with rigid spout



PACKAGING

CODE	WEIGHT		PACKAGING			
	KG	LBS	MM	INCH	PCS/PALLET	PCS/BOX
FO0640000	1,3	2,9	300X180X80	11,8X7,1X3,1		1
FO0640010	1,9	4,2	300X180X80	11,8X7,1X3,1		1
FO0640020	2,0	4,2	300X180X80	11,8X7,1X3,1		1



FILTRATION



FLUID MONITORING



TANK MONITORING



HOSE REELS



ACCESSORIES



MERCHANDISE



AIR



ANTIFREEZE



AdBlue®



BIODIESEL



DIESEL



FOOD



GASOLINE



GREASE



KEROSENE



OIL

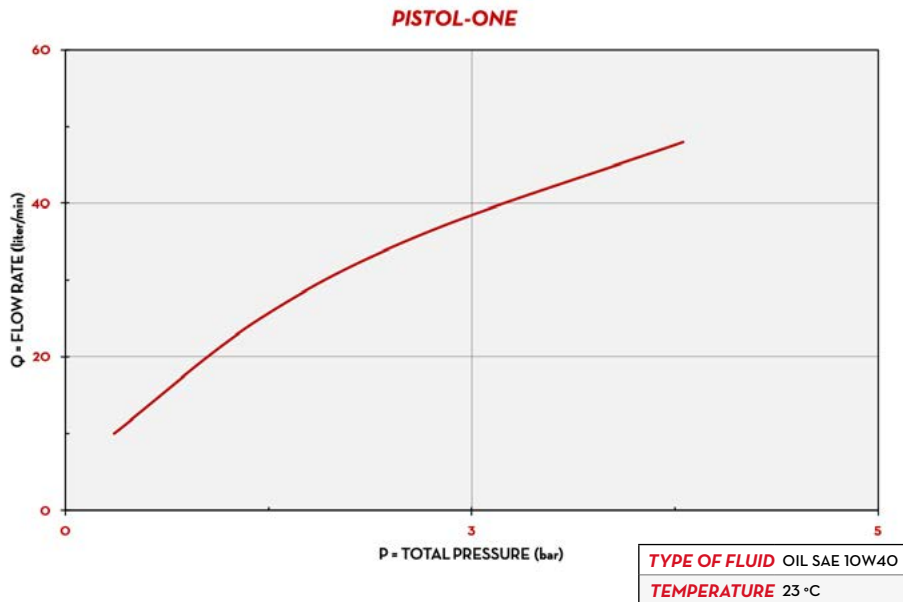


WATER

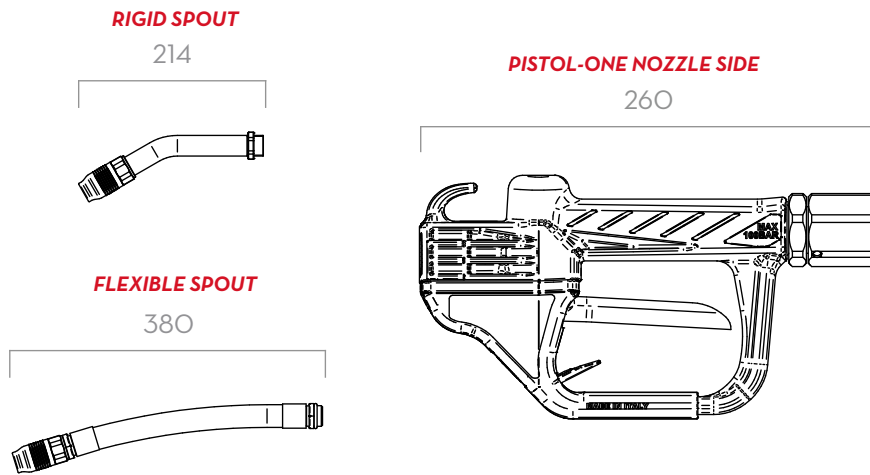


WINDSCREEN

CHART



DIMENSIONS



Dimensions expressed in millimeters

IN THE BOX

- PISTOL-ONE NOZZLE
- INSTRUCTION MANUAL

DETAILS



LEVER PROTECTION



ERGONOMIC AND COMPACT



HEAVY DUTY DESIGN



SWIVEL 3/4 BSP

MATERIALS

- BODY: ALLUMINIUM
- VALVE: NBR, NICKEL PLATED STEEL, BRASS

TECHNICAL DATA

CODE	DESCRIPTION	FLUIDS TYPE	FLOW RATE		WORKING PRESSURE		SPOUT		INLET
			L/MIN	GPM	BAR	PSI	RIGID	FLEXIBLE	
FO0640000	PISTOL-ONE .75" BSP W/O SPOUT		6 - 60	1,5 - 15	70	994	-	-	3/4" BSP
FO0640010	PISTOL-ONE .75" BSP W/RIGID SPOUT		6 - 60	1,5 - 15	70	994	YES	-	3/4" BSP
FO0640020	PISTOL-ONE .75" BSP W/FLEX SPOUT		6 - 60	1,5 - 15	70	994	-	YES	3/4" BSP

NPT VERSION AVAILABLE