



CAR FILLING



FUEL MANAGEMENT SYSTEMS



KITS



PUMPS



METERS



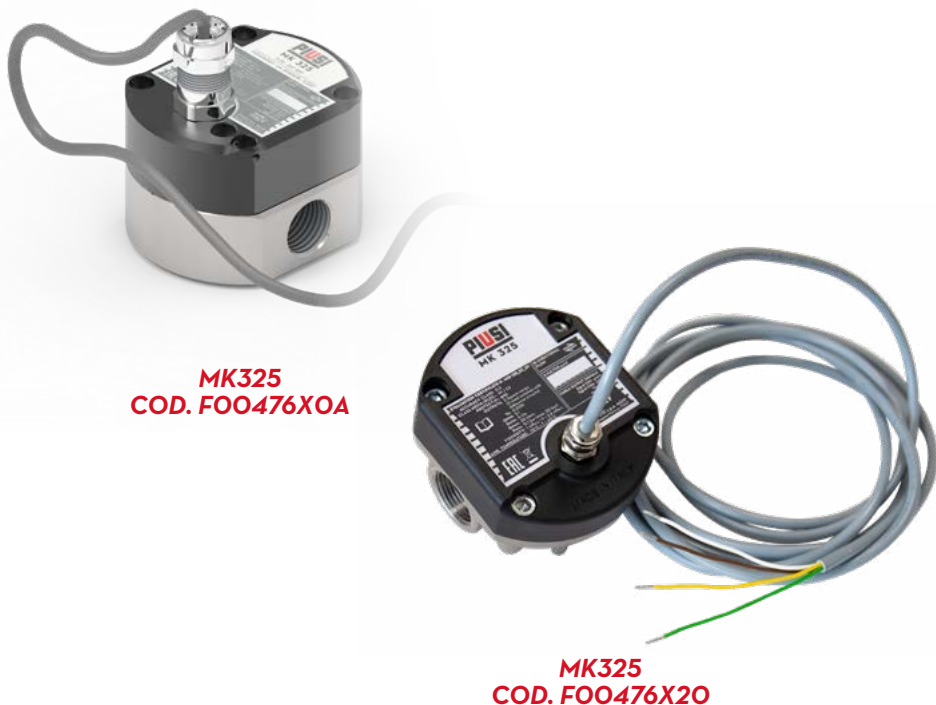
METERED NOZZLES

# MK325 METER

## FEATURES

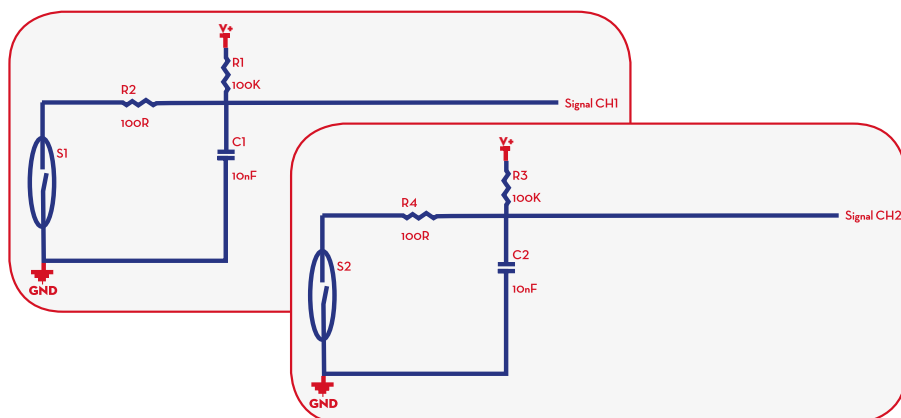
- MID EVALUATION CERTIFICATE
- LOW MAINTENANCE COSTS
- BIDIRECTIONAL MEASUREMENT
- ATEX CERTIFICATION

The PIUSI MK325 is a state-of-the-art flow meter, specifically designed to ensure accurate MID measurement of AdBlue®. It is compatible with both fixed and mobile dispensing systems.



## PERFORMANCE

UP TO <b>5-35 L/MIN</b>	<b>20 BAR</b> MAX
FLOW RATE	OPERATING PRESSURE
<b>±0,3%</b>	<b>0,2%</b>
ACCURACY	REPEATABILITY



ELECTRICAL SCHEME

## PACKAGING

CODE	WEIGHT		PACKAGING		
	KG	LBS	MM	INCH	PCS/BOX
FOO476X20	1,3	2,64	190X140X160	7,48X5,51X6,3	1
FOO476XOA	2,2	4,85	190X140X160	7,48X5,51X6,3	1



NOZZLES



FILTRATION



TANK MONITORING



HOSE REEL



ACCESSORIES



MERCHANDISE



AIR



ANTIFREEZE



AdBlue®



BIODIESEL



DIESEL



FOOD



GASOLINE



GREASE



KEROSENE



OIL

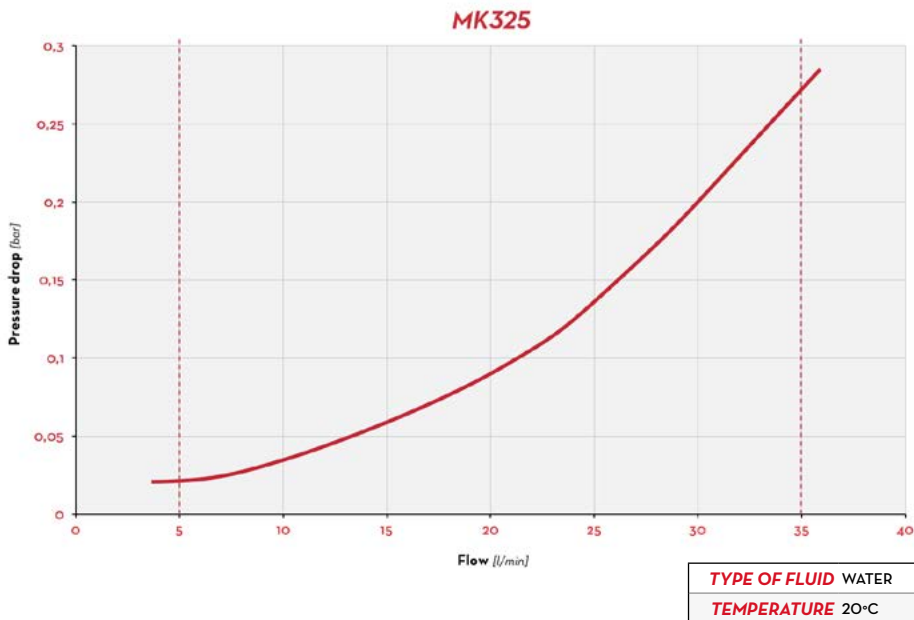


WATER



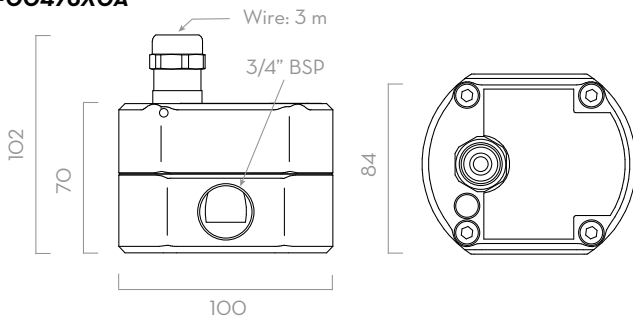
WINDSCREEN

## CHART

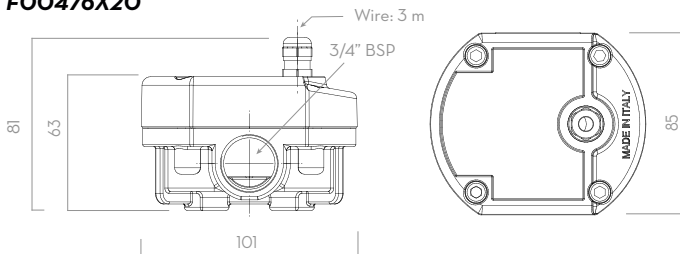


## DIMENSIONS

### MK325 COD. FOO476XOA



### MK325 COD. FOO476X20



Dimensions expressed in millimeters

## IN THE BOX

- MK325 METER
- INSTRUCTIONS WITH CALIBRATION FACTOR
- INSTRUCTION MANUAL

## DETAILS



3M CABLE LENGTH



ATEX CERTIFIED



PEEK GEAR



BIDIRECTIONAL MEASURING

## MATERIALS

- BODY: STAINLESS STEEL
- CABLE BOX: ALLUMINIUM
- GEAR: PEEK
- SEALS: NPR

## TECHNICAL DATA

CODE	DESCRIPTION	FLUIDS TYPE	FLOW RATE		PRESSURE		ATEX CERTIFICATION	PULSE OUT (P/L)	
			L/MIN	GPM	BAR	PSI		PULSE VERSION	DISPLAY VERSION
FOO476X20	(EX) MK325 5-35 Z2 3/4" BSP (MID)		5 - 35	1,3 - 8-9,3	20	290	EX-M Z2	APPROX. 160	NO
FOO476XOA	(EX) MK325 5-35 Z1/Z2 3/4" BSP (MID)		5 - 35	1,3 - 8-9,3	20	290	EX-D Z1/Z2	APPROX. 160	NO