



CAR FILLING



FUEL MANAGEMENT SYSTEMS



KITS



PUMPS



METERS



METERED NOZZLES

FLIPPER

FEATURES

- COMPLETE KIT
- READY TO USE
- COMPATIBLE WITH ALL VEHICLES
- ROBUST, FUNCTIONAL
- 3D FILTER FOR ADBLUE
- SB325_X METER NOZZLE CAR VERSION

FLIPPER is the AdBlue® mobile transfer trolley made by PIUSI. It is light and handy with switching from manual to electric operation to save time, money and effort.

PERFORMANCE

20 L/MIN

FLOW RATE

230V

VOLTAGE

POWER

6M

ELECTRIC CABLE

2,2M

HOSE LENGTH



FLIPPER

PACKAGING

CODE	WEIGHT		PACKAGING			
	KG	LBS	MM	INCH	PCS/PALLET	PCS/BOX
FO0100COA	44	97	1070X700X300	42,1X27,5X11,8	1	1



NOZZLES



FILTRATION



TANK MONITORING



HOSE REEL



ACCESSORIES



MERCHANDISE



AIR



ANTIFREEZE



AdBlue®



BIODIESEL



DIESEL



FOOD



GASOLINE



GREASE



KEROSENE



OIL

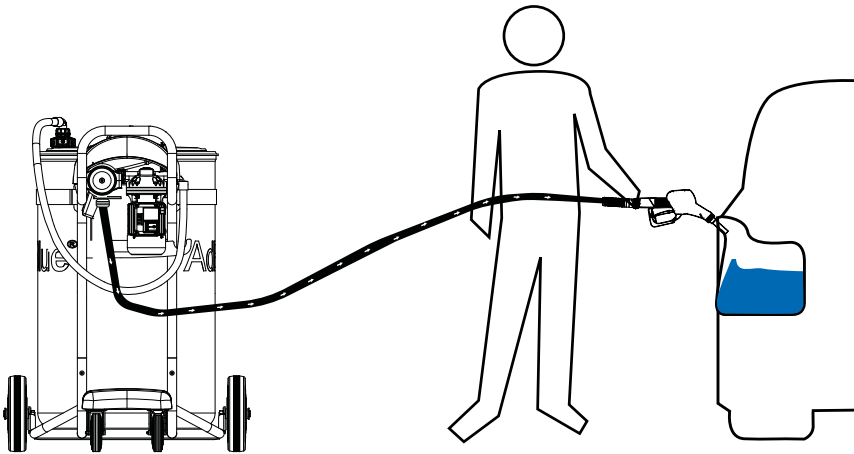


WATER



WINDSCREEN

FUNCTIONING



IN THE BOX

- FLIPPER UNIT
- CART
- AF2 CONNECTOR
- SUCTION HOSE
- DELIVERY HOSE
- SB325_X METER NOZZLE CAR
- INSTRUCTION MANUAL

DETAILS



3D FILTER



AF2 CONNECTOR

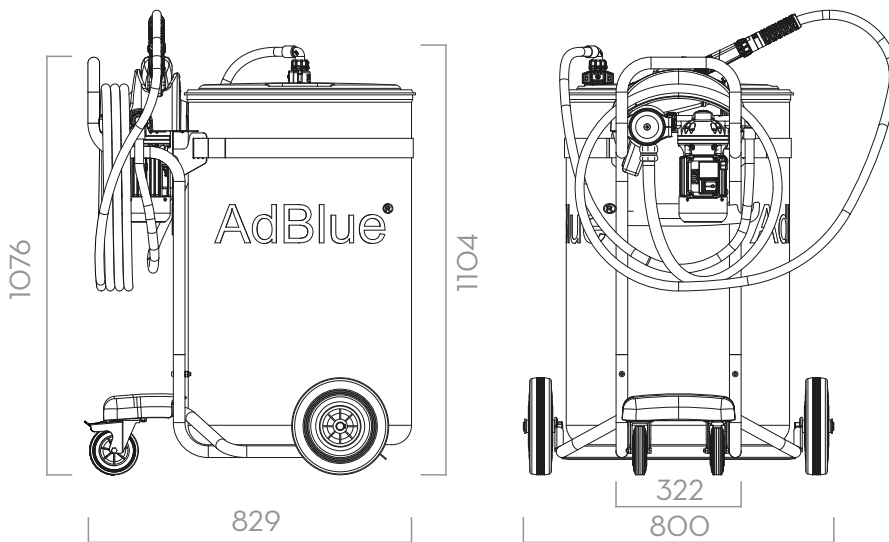


SB325_X METER CAR



BENDING PROTECTION

DIMENSIONS



Dimensions expressed in millimeters

COMPONENTS

- PUMP:
SUZZARABLU PUMP AC
- FILTER:
3DFILTER

TECHNICAL DATA

CODE	DESCRIPTION	FLUIDS TYPE	FLOW RATE		VOLTAGE			HOSE		ON/OFF
			L/MIN	GPM	AC V./HZ DC VOLT	POWER WATT	AMP. MAX.	LENGHT	Ø	SWITCH
FO0100COA	FLIPPER AC 230V 50 HZ		20	0,5 - 2,6	230/50	400	1,95	2,2	3/4"	YES